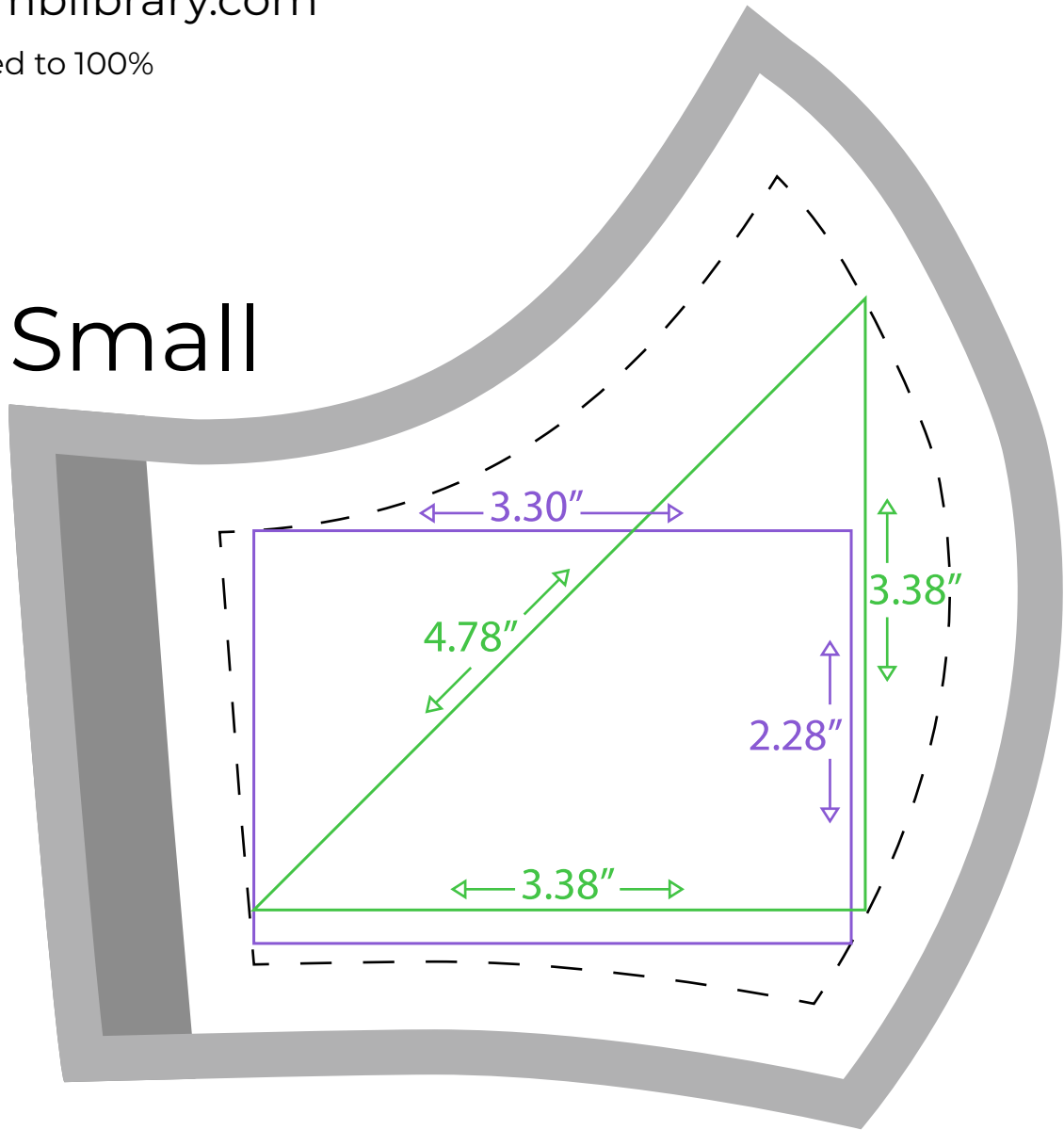


Face Mask
Embroidery Area Sizing Guides
All Sizes
www.emblibrary.com

Print Scaled to 100%

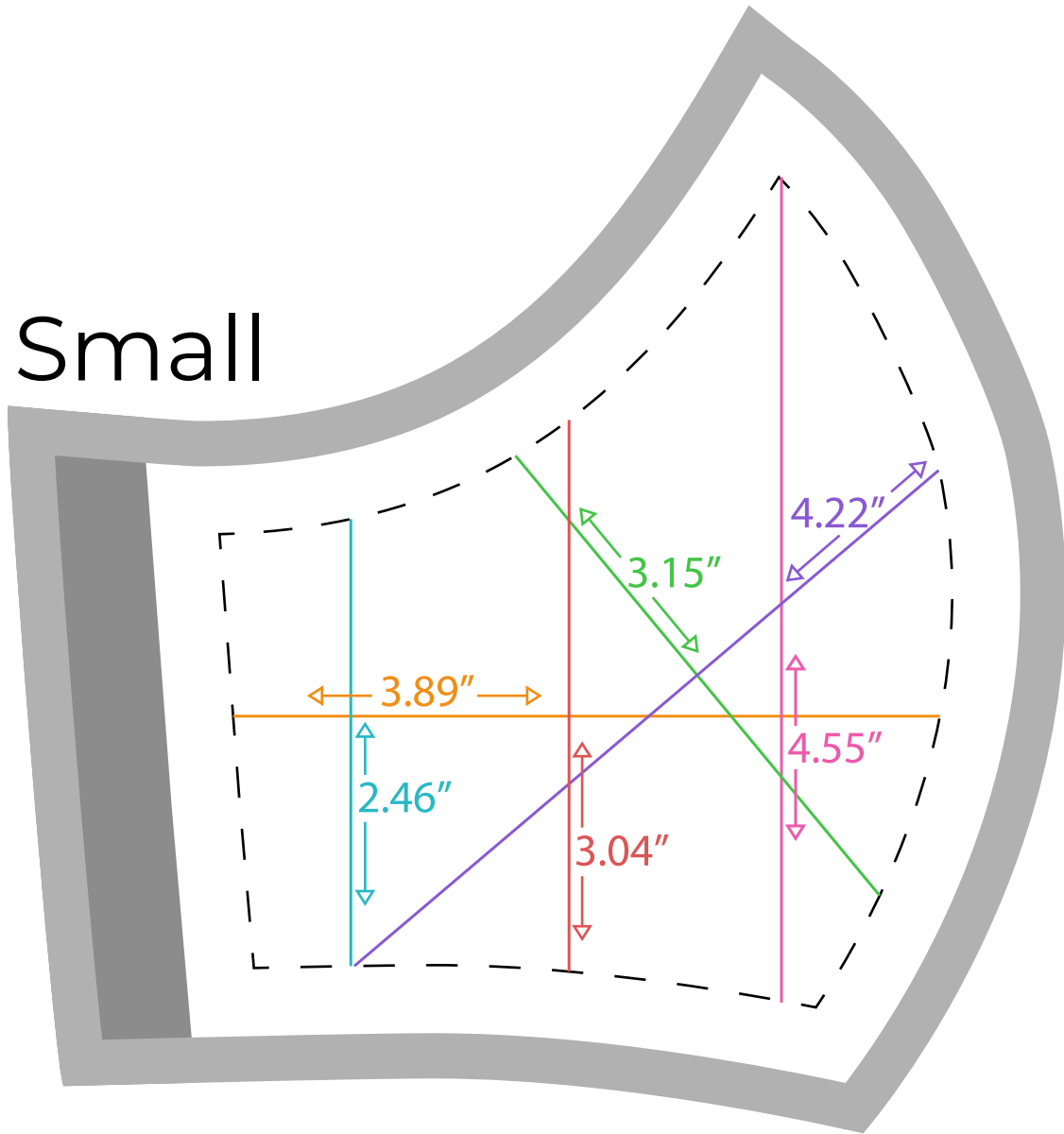
Small



This is not a pattern
Do not use this to cut out any fabric

Please check the scale
here after printing
This should be 2in wide

Small

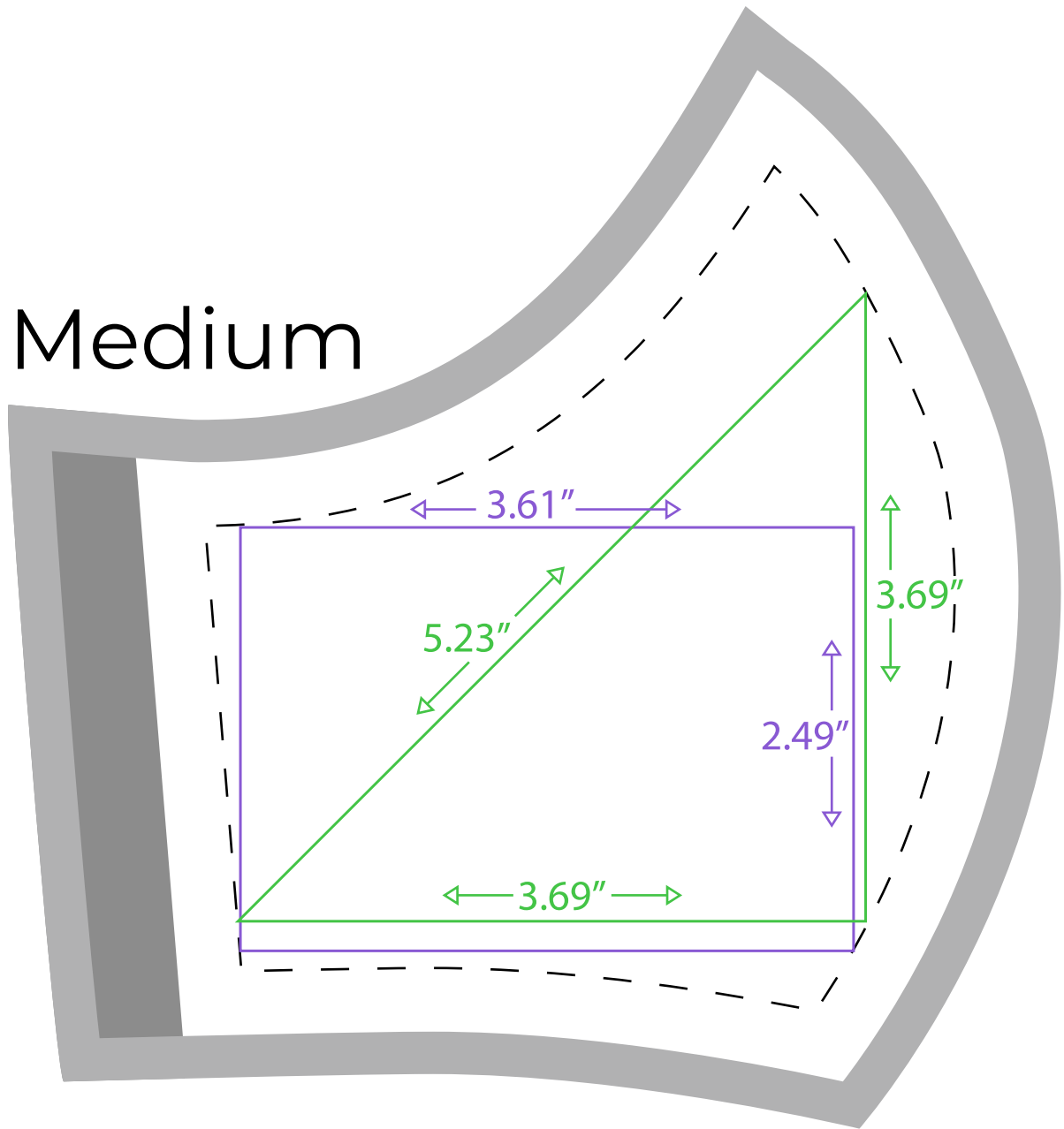


This is not a pattern
Do not use this to cut out any fabric

Please check the scale
here after printing

This should be 2in wide

Medium

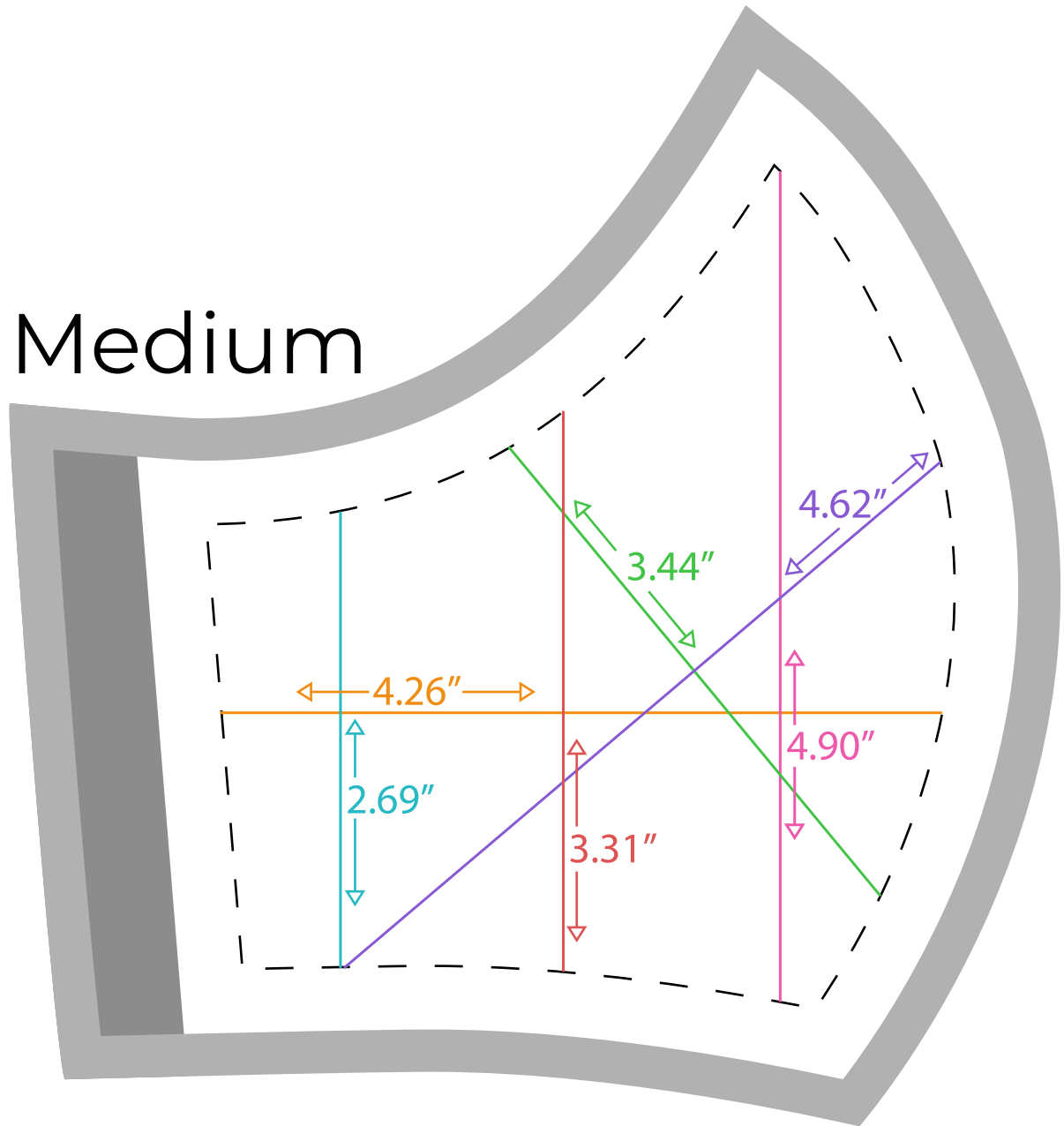


This is not a pattern
Do not use this to cut out any fabric

Please check the scale
here after printing

This should be 2in wide

Medium

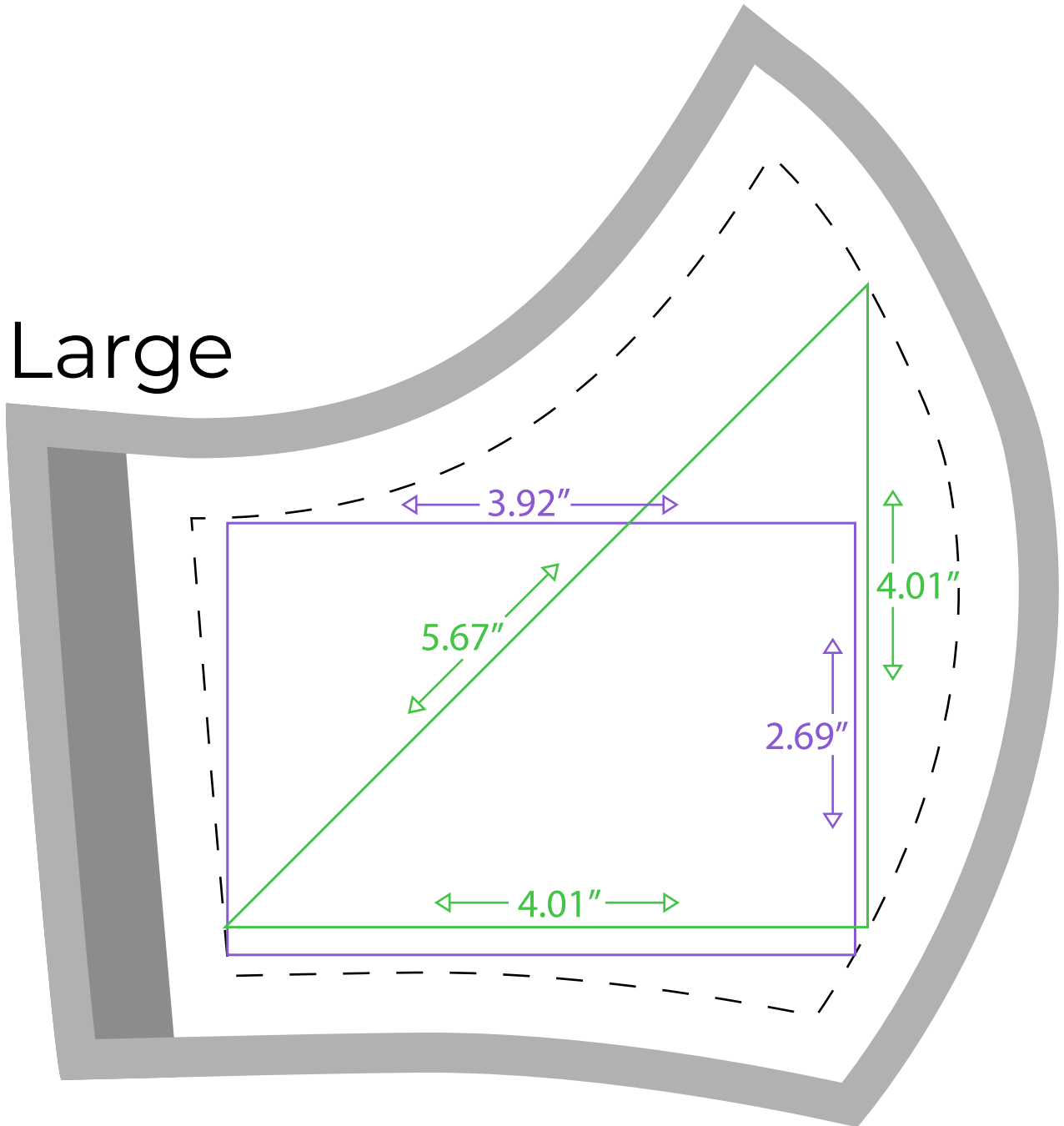


This is not a pattern
Do not use this to cut out any fabric

Please check the scale
here after printing

This should be 2in wide

Large

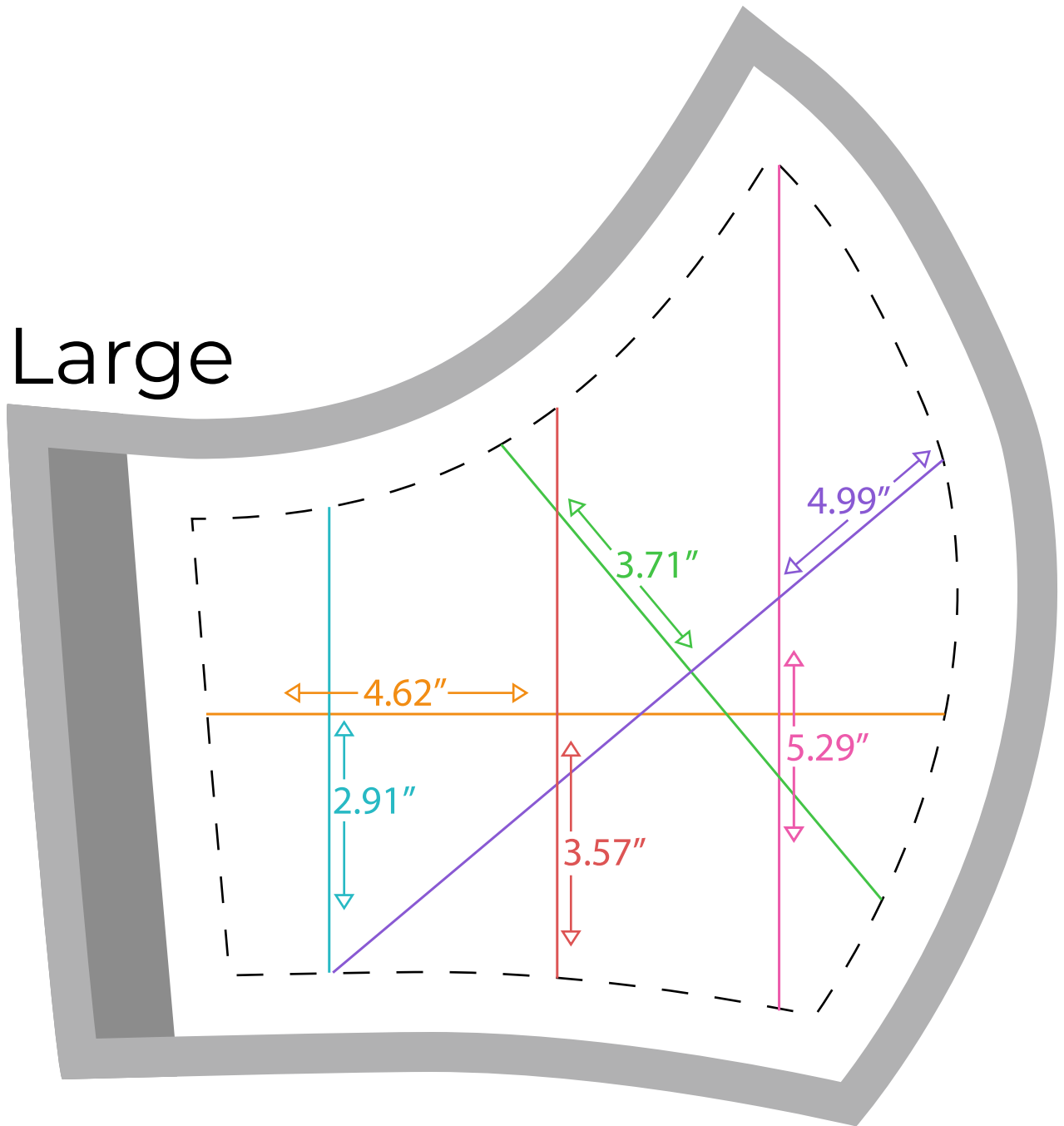


This is not a pattern
Do not use this to cut out any fabric

Please check the scale
here after printing

This should be 2in wide

Large



This is not a pattern
Do not use this to cut out any fabric

Please check the scale
here after printing

This should be 2in wide